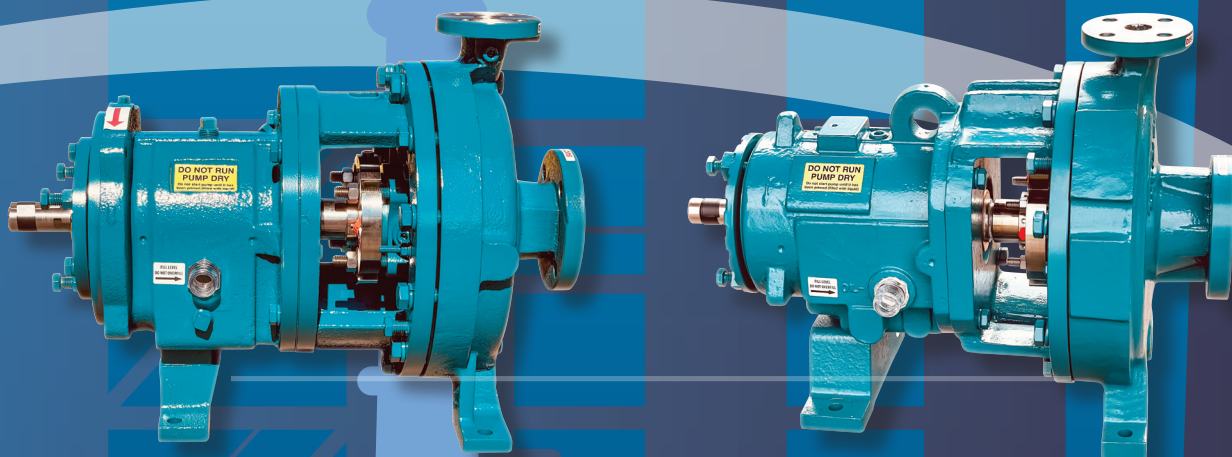


MOSHERFLO PUMPS

MosherFlo - G & D ANSI Pumps



DISTRIBUTED BY:

Mosherflo-G Features

INPRO LABYRINTH SEALS – STANDARD

All Inboard and Outboard Isolators are installed to prevent bearing failure due to contamination or loss of oil. Bearing life is extended by running cooler & cleaner.

ADJUSTABLE PERFORMANCE

An easy external adjustment can be made to extend the performance of the conditions of service for which the pump is rated.

HEAVY DUTY BEARINGS & SHAFT

The bearings are sized for 10 year average life span. The shaft is rigid, designed with or without sleeve, for minimum deflection at seal faces less than 0.002-in. (.05mm)

EXTRA LARGE OIL SUMP CAPACITY

Larger capacity provides for better heat transfer and durability.



3-D BULLSEYE™ SITE-GLASS

Luneta's 3-D Tritan BullsEye™ Sight glass makes viewing oil levels easy from any angle, even when pumps are in hard to reach places. This non-staining, solid patented copolyester sight glass will withstand more wear and tear than a typical sight window will allow.

HEAVY DUTY POWER END

Designed for extra heavy duty applications that demand reliability.

RIGID FRAME AND CASING FEET

Reduces effect of pipe loads and helps maintain shaft alignment, reducing vibration.

MOUNTING FLANGE

Supports optional C-face adapter. Accommodates standard ANSI flanges.



BEARING TEMPERATURE GAUGE

*Optional - This feature allows you to check your bearing temperature with ease, helps with prevention and detection of overheating of bearing fluid & any problems resulting from an overheated bearing chamber. Available with every ANSI Pump.

CARBON STEEL FRAME ADAPTER

Carbon Steel strength for safety and reliability.

CASING

- Top Center-line Discharge
- Back pull-out design
- Integral casing feet
- Class 150 flange standard

CASING BOLTS

S.S. Material

IMPELLER – FULLY OPEN

Designed for corrosive environments.

POSITIVE SEAL CASING JOINT

Protects alignment fit from liquid and eases disassembly.

SEALING FLEXIBILITY

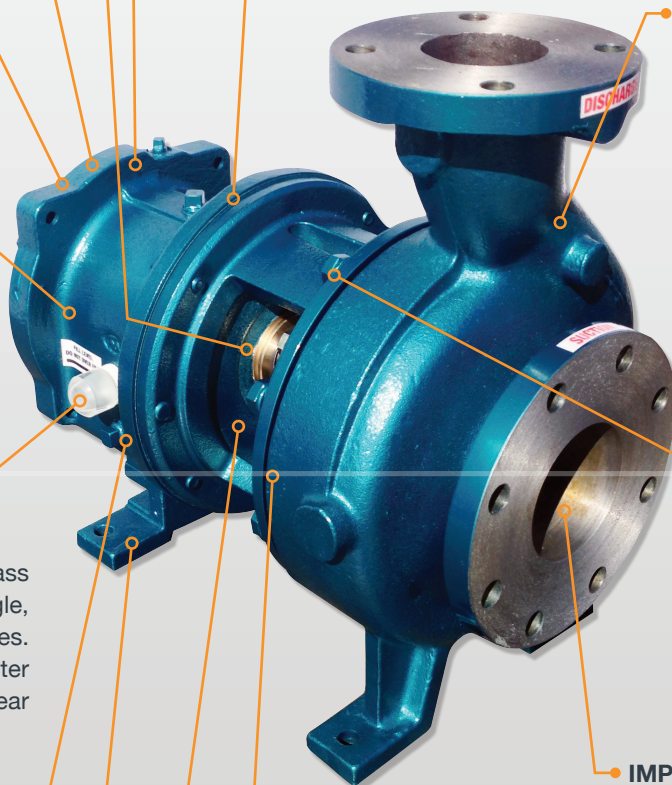
Available with a variety of sealing options—all types of packing and component & cartridge-type mechanical seals from a large number of well-known suppliers.

WE ARE OEM BUYERS FOR:

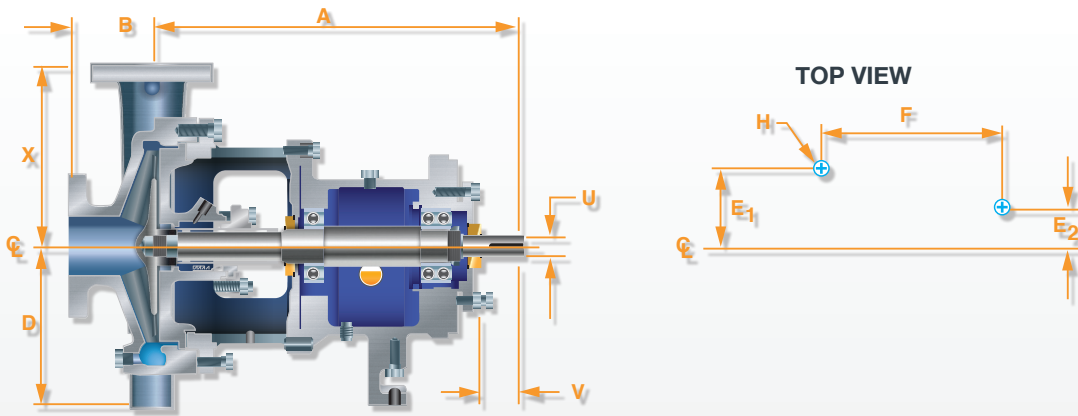
- Flex-A-Seal
- John Crane
- AES
- Eagle-Burgmann
- and many others

COVER PLATE OPTIONS INCLUDE THE FOLLOWING:

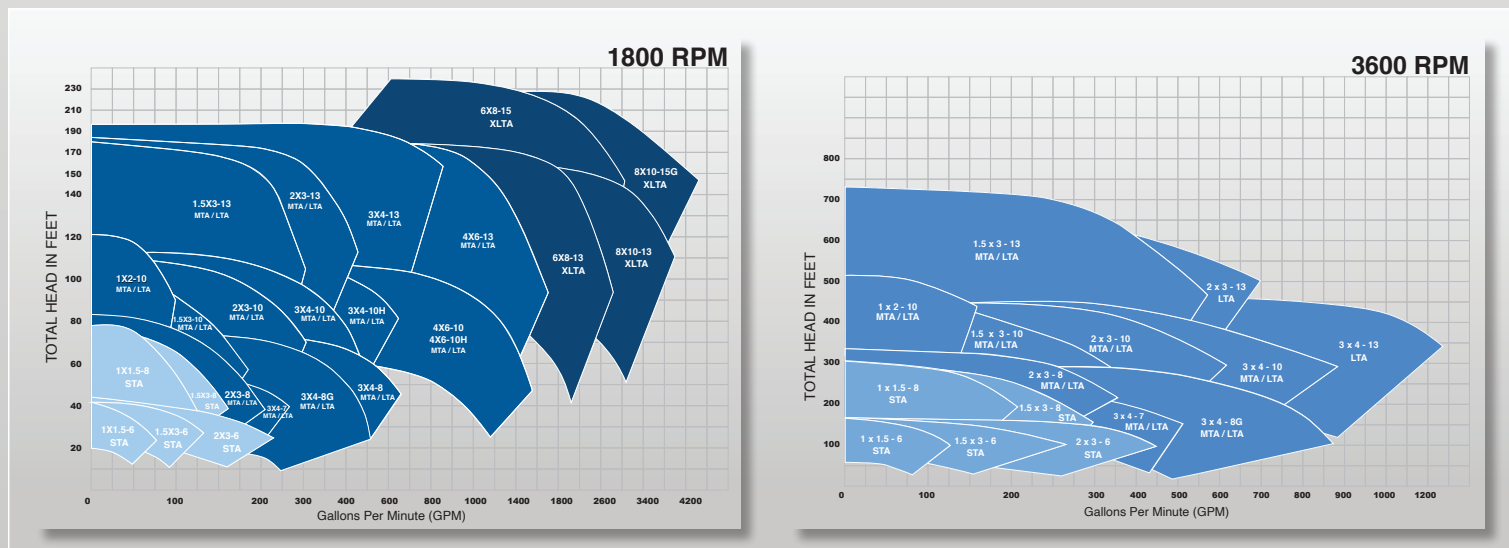
- Standard Bore (CBS)
- Taper Bore (FML)
- Large Bore (CBL)



Mosherflo-G Dimensional Data

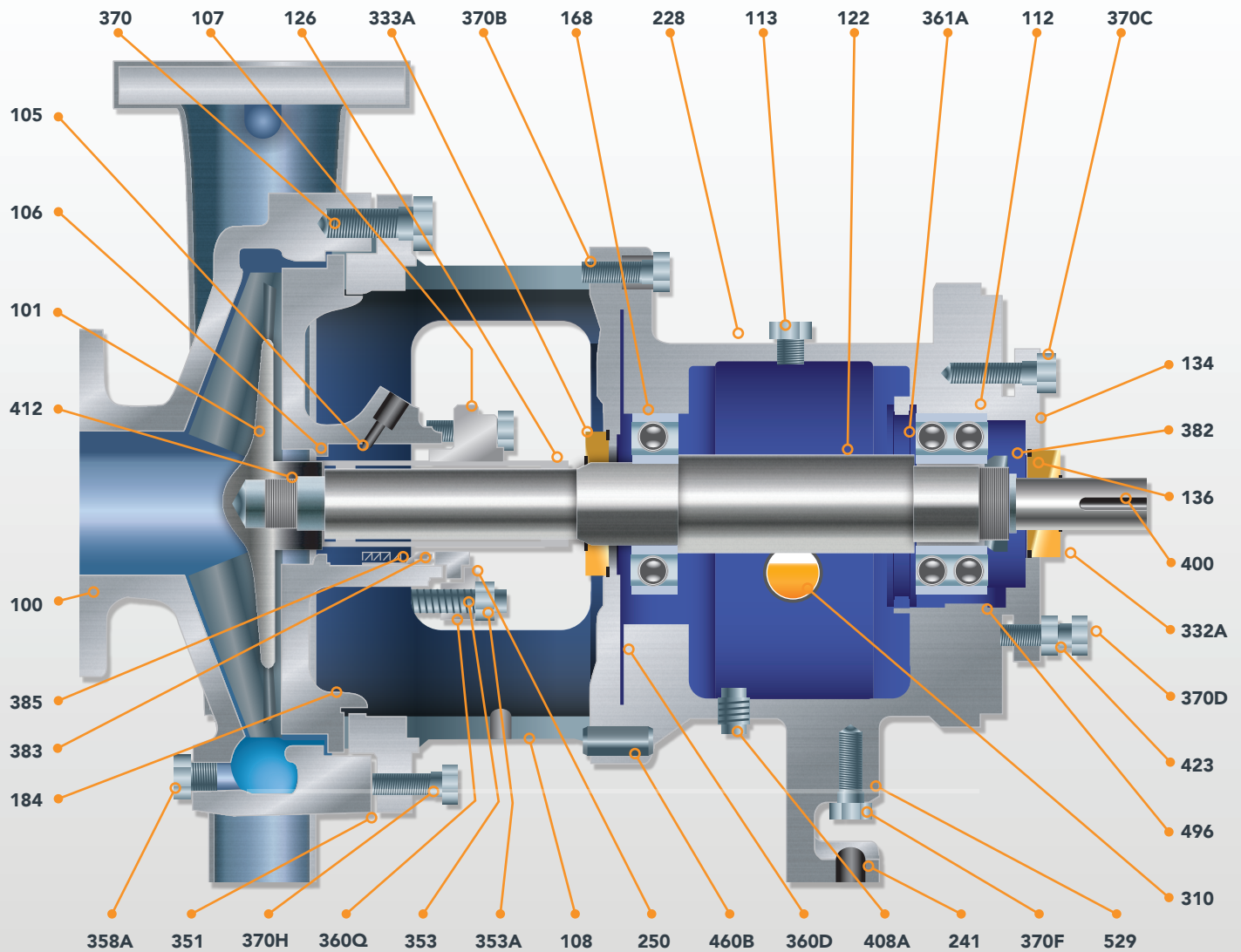


PUMP FRAME	ANSI DESIGNATION	DISCHARGE SIZE	SUCTION SIZE	IMPELLER SIZE	KEY DIMENSIONS (IN INCHES)												WEIGHTS	
					EXTERNAL DIMENSIONS					FOOT PATTERNS			SHAFT DIMENSIONS				LBS	(KG)
					X	D	A	B	(OAL)	E1	E2	F	H	U	V	KEYWAY (W X D)		
STA	AA	1	1.5	6													85	39
	AB	1.5	3	6													92	42
	AC	2	3	6	6.5	5.25	13.5	4	(17.5)	3	0	7.25	0.625	0.875	2	3/16 X 3/32	95	43
	AA	1	1.5	8													100	45
MTA/LTA	AB	1.5	3	8													110	50
	A70	3	4	7	11												220	100
	A60	2	3	8	9.5												200	91
	A70	3	4	8	11												220	100
	A70	3	4	8G		8.25											220	100
	A05	1	2	10		8.5											200	91
	A50	1.5	3	10													220	100
	A60	2	3	10	9.5												230	104
	A70	3	4	10	11												265	120
	A40	3	4	10H	12.5		19.5	4	(23.5)	4.875	3.625	12.5	0.625	FOR MTA 1.125 FOR LTA 1.875	2.625	FOR MTA 1/4 X 1/8 FOR LTA 1/2 X 1/4	275	125
	A80	4	6	10													305	138
	A80	4	6	10G	13.5												305	138
	A80	4	6	10H													305	138
	A20	1.5	3	13	10.5	10											245	111
	A30	2	3	13	11.5												275	125
	A40	3	4	13	12.5												330	150
A80	4	6	13	13.5												405	184	
XLTA	A90	6	8	13	16												560	254
	A100	8	10	13													670	304
	A110	6	8	15	18												610	277
	A120	8	10	15													740	336
	A120	8	10	15G	19	14.5	27.875	6	(33.875)	8	4.5	18.75	0.875		4	5/8 X 5/16	710	322
	A105	4	6	17	16												650	295
	A110	6	8	17	18												730	331
A120	8	10	17	19												830	376	



*Performance curves of the following models are not shown MTA/LTA 3X4-7, XLTA 4X6-17, XLTA 6X8-17, and XLTA 8X10-17. Please contact Mosherflo Pumps sales team for further information.

Mosherflo-G Parts List



PART #	Qty	Name
100	1	CASING
101	1	IMPELLER
105	1	RING, LANTERN (Optional)
106	5	PACKING (Optional)
107	1	GLAND, PACKING (Optional)
108	1	ADAPTER
112	1	BEARING, OUTBOARD
113	1	PLUG, OIL FILL
122	1	SHAFT Solid / Sleeveable
126	1	SLEEVE, SHAFT
134	1	HOUSING, BEARING
136	1	LOCKNUT, BEARING
168	1	BEARING, INBOARD
184	1	COVER, STUFFING BOX
228	1	BEARING FRAME
241	1	BEARING FRAME FOOT
250	1	GLAND, MECHANICAL SEAL (Optional)
310	1	GAUGE: SIGHT, OIL
332A	1	LABYRINTH, OUTBOARD ISOLATOR
333A	1	LABYRINTH, INBOARD ISOLATOR
351	1	GASKET, CASE
353	4	STUD, GLAND

PART #	Qty	Name
353A	4*	NUT, GLAND STUD
358A	1	PLUG, CASING DRAIN (Optional)
360D	1	GASKET, FRAME / ADAPTER
360Q	1	GASKET GLAND, MECHANICAL SEAL
361A	1	SNAP RING, BEARING
370	0,12,15	BOLT, CASING
370B	4	BOLT, FRAME / ADAPTER
370C	3	BOLT, FRAME / BEARING HOUSING
370D	3	JACK BOLT, BEARING HOUSING
370F	2	BOLT FRAME FOOT
370H	2	BOX COVER / ADAPTER STUD
382	1	LOCKWASHER, BEARING
383	1	SEAL, MECHANICAL ROTATING ELEMENT (Optional)
385	1	SEAL, MECHANICAL STATIONARY ELEMENT (Optional)
400	1	KEY, COUPLING
408A	1	MAGNETIC PLUG, FRAME DRAIN
412	1	O-RING, IMPELLER
423	3	JAMNUT, BEARING HOUSING JACK BOLT
460B	2	DOWEL PIN, FRAME / ADAPTER
496	1	O-RING, BEARING HOUSING / FRAME
529	2	WASHER, FRAME FOOT TO FOOT

*PACKING GLAND HAS ONLY 2 STUDS & NUTS

Mosherflo-D Mill Features

INPRO LABYRINTH SEALS – STANDARD

All Inboard and Outboard Isolators are installed to prevent bearing failure due to contamination or loss of oil. Bearing life is extended by running cooler & cleaner.

LARGER BEARINGS AND SHAFT

The bearings and shaft are larger than those found in other ansi pump designs, thus reducing vibration and shaft deflection and, in turn, extending bearing life.

ADJUSTABLE PERFORMANCE & EXTERNAL IMPELLER ADJUSTMENT

An easy external adjustment can be made to extend the performance of the conditions of service for which the pump is rated. Quickly allows for setting the impeller clearance during initial assembly or on-site.



3-D BULLSEYE™ SITE-GLASS

Luneta's 3-D Tritan BullsEye™ sight glass makes viewing oil levels easy from any angle, even when pumps are in hard to reach places. This non-staining, solid patented copolyester sight glass will withstand more wear and tear than a typical sight window will allow.

RIGID FRAME AND CASING FEET

Reduces effect of pipe loads and helps maintain shaft alignment, reducing vibration.

SEALING FLEXIBILITY

Available with a variety of sealing options—all types of packing and component & cartridge-type mechanical seals from a large number of well-known suppliers.

WE ARE OEM BUYERS FOR:

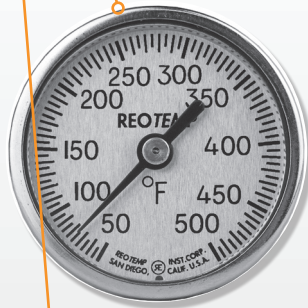
- Flex-A-Seal
- John Crane
- AES
- Eagle-Burgmann
- and many others

COVER PLATE OPTIONS INCLUDE THE FOLLOWING

- Standard Bore (CBS)
- Taper Bore (FML)
- Large Bore (CBL)

BEARING TEMPERATURE GAUGE

*Optional - This feature allows you to check your bearing temperature with ease and helps with prevention and detection of overheating of bearing fluid & any problems resulting from an overheated bearing chamber. Available with every ANSI Pump.



FRAME ADAPTER

High tensile strength for reliability.

CASING

- Top Center-line Discharge
- Back pull-out design
- Integral Casing Feet
- Class 150 Flanges standard

CASING BOLTS

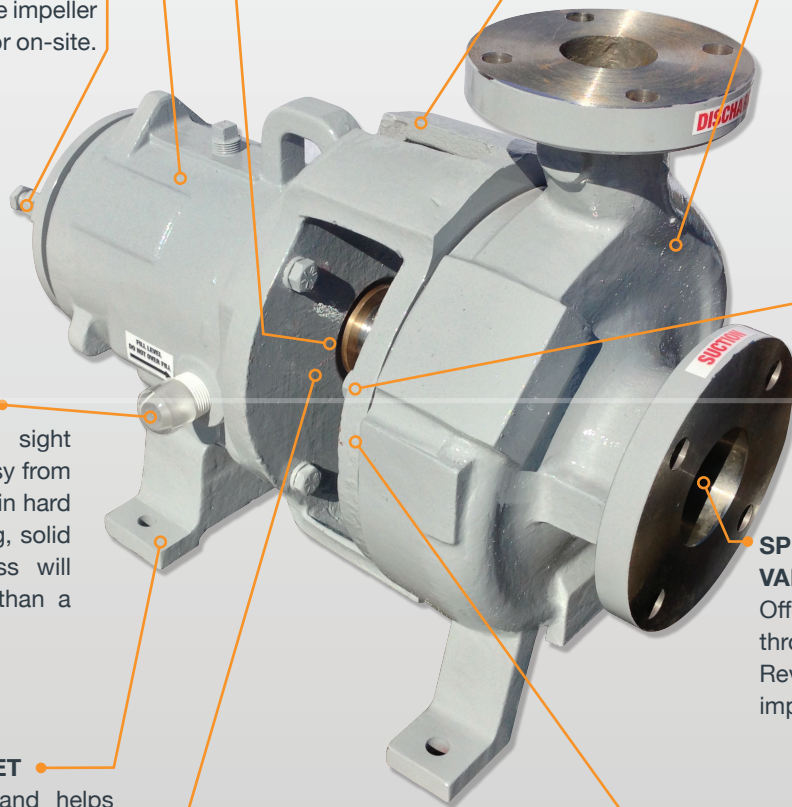
S.S. Material

SPECIALLY DESIGNED REVERSE VANE IMPELLER

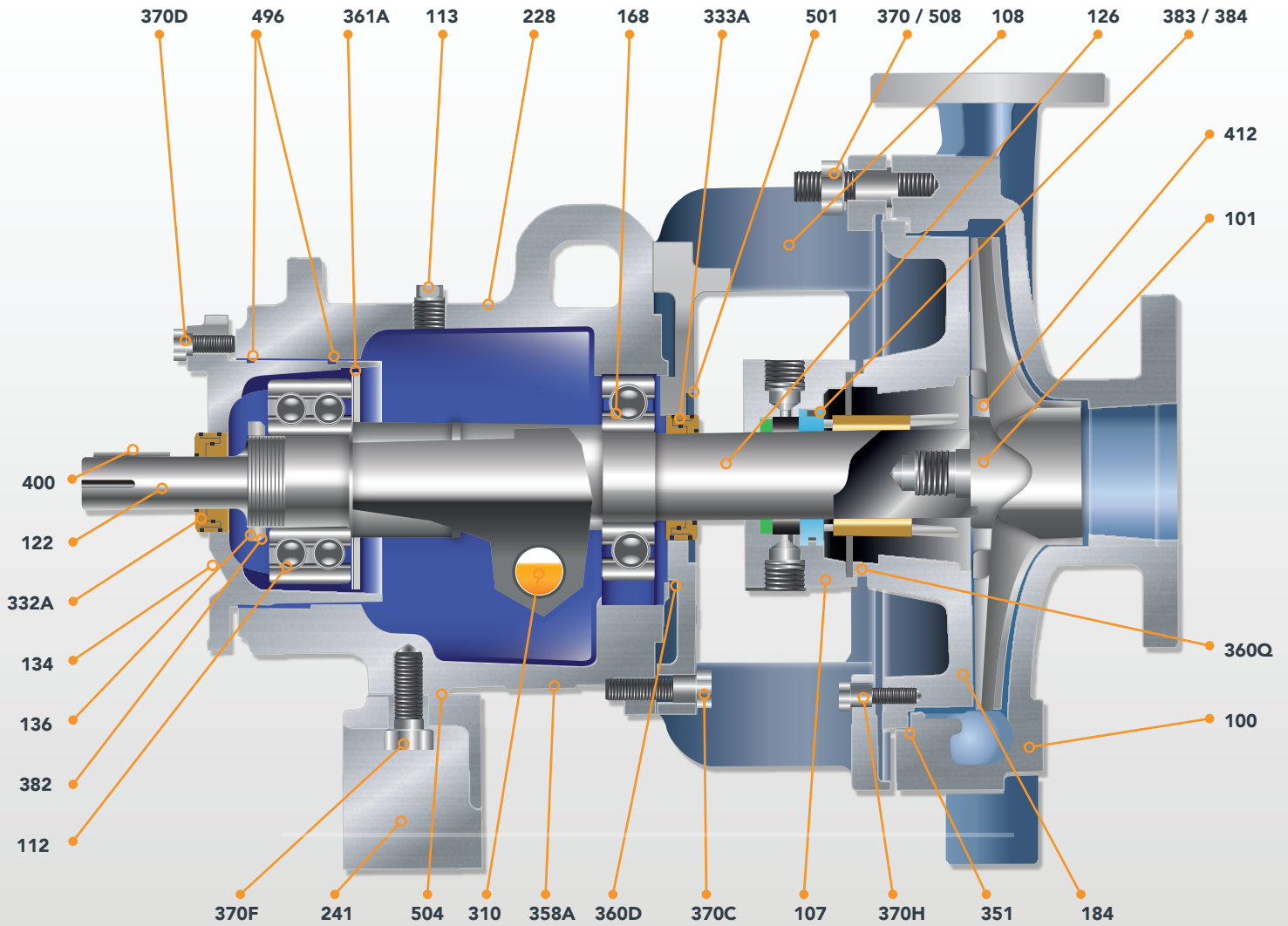
Offers consistent performance throughout the pump's lifetime. Reverse Vane is standard. Open impellers are available upon request.

POSITIVE SEAL CASING JOINT

Protects alignment fit from liquid and eases disassembly.



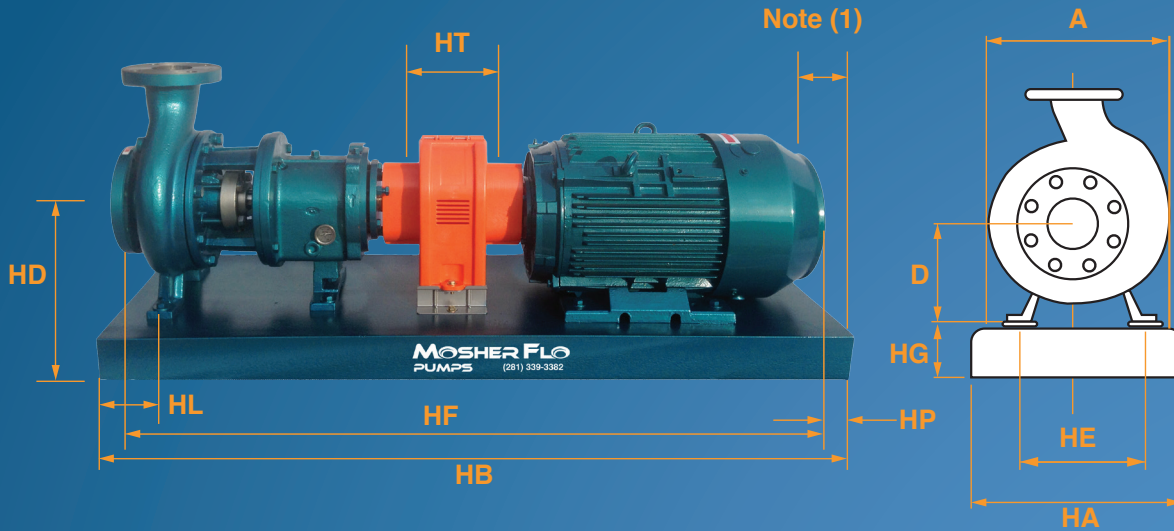
Mosherflo-D Parts List



PART #	Name
100	CASING
101	IMPELLER
106	PACKING (Optional Not Shown)
107	GLAND
108	ADAPTER - BEARING HOUSING
112	BALL BEARING - OUTBOARD
113	PLUG - OIL FILL
122	SHAFT
126	SLEEVE (Optional)
134	BEARING CARRIER
136	BEARING LOCKNUT
168	BALL BEARING - INBOARD
184	COVER
228	BEARING HOUSING
241	SUPPORT FOOT
250	SEAL CAGE (W/Packing Not Shown)
310	SIGHT GAUGE - BEARING HOUSING 3D BULLSEYE
332A	OIL SEAL - LABYRINTH, OUTBOARD ISOLATOR
333A	OIL SEAL - LABYRINTH, INBOARD FRAME, ISOLATOR
351	GASKET - COVER
353A	NUT - GLAND - (Not Shown)
358A	MAGNETIC PLUG - BEARING HOUSING DRAIN

PART #	Name
360D	O-RING - ADAPTER
360Q	GASKET - GLAND
361A	RETAINING RING - BEARING
370	STUD - CASING
370C	SCREW - BEARING HOUSING
370D	SCREW - BEARING CARRIER SET
370F	SCREW - FOOT
370H	SCREW - COVER/ADAPTER
382	LOCKWASHER BEARING
383 / 384	MECHANICAL SEAL
400	KEY - SHAFT/COUPLING
412	GASKET - IMPELLER
496	O-RING - BEARING CARRIER
500	RETAINING RING - CLAMP TYPE (Not shown)
501	DEFLECTOR INBOARD (Optional)
502	OIL FLINGER (Optional, Not Shown)
503	CONSTANT LEVEL OILER (Optional, Not Shown)
504	SHIM
505	PLUG - BEARING HOUSING VENT (Not Shown)
506	SCREW - CLAMP (Not Shown)
507	STUD - GLAND - (Not Shown)
508	NUT - CASING

MosherFlo G & D ANSI Interchangeability and Dimensional Data



Note (1)

BASEPLATE DIMENSIONS (Dimensions In Inches)																
Model	Baseplate No.	Nema Frames Available	HA	HB	HT	HD Max. (Note 2)				HE	HF	*HG	HH	HL	HP	
						D=5.25	D=3.25	D=10	D=14.5							
ST/G1	1	56-145T	10	36	3.75	8.25	---	---	---	6	32.5	3	0.75	4.5	1.25	
	2	182-215T	12	42	3.75	8.5	---	---	---	6	36.5	3.25	0.75	4.5	1.25	
	3	254U-286TS	15	48	3.75	9.38	---	---	---	6	43.5	4.125	0.75	4.5	1.25	
MT/G2	1	143-215	15	48	3.75	---	12	13.75	---	9.5	42.5	3.75	3.75	0.75	4.5	1.25
	2	254-286	15	58	3.75	---	12.38	14.13	---	9.5	49.5	4.125	4.125	0.75	4.5	1.25
	3	324-326	18	60	3.75	---	13	14.75	---	9.5	55.5	4.75	4.75	1	4.5	1.25
	3	364-365	18	60	3.75	---	14	14.75	---	9.5	55.5	5.75	4.75	1	4.5	1.25
	4	404-405	22	68	3.75	---	15	15	---	9.5	57.5	6.75	5	1	4.5	1.25
4	440 SER.	24	80	3.75	---	16	16	---	9.5	57.5	7.75	6	1	4.5	1.25	
XLT/G3	1	213-286T	22	68	5.25	---	---	---	19.25	16	65.5	4.75	1	6.5	1.25	
	2	324-365TS	22	72	5.25	---	---	---	19.25	16	65.5	4.75	1	6.5	1.25	
	3	404-447TS	24	92	5.25	---	---	---	19.25	16	77.5	4.75	1	6.5	1.25	

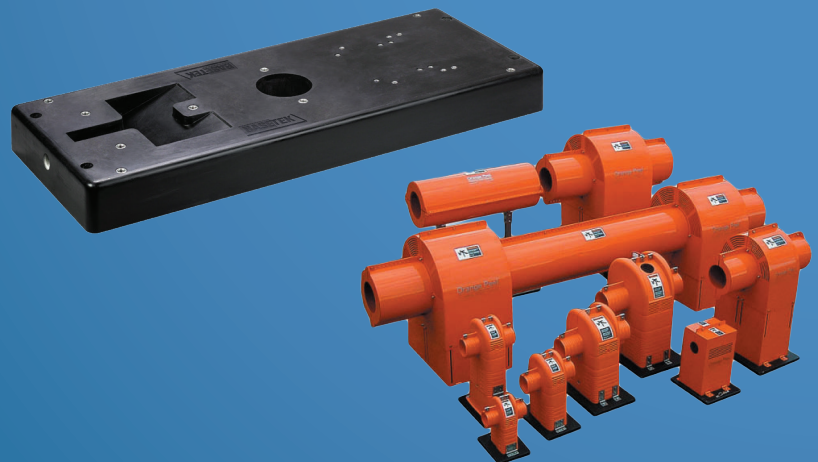
BASETEK DIMENSIONS					
BASE	NEMA	HA	HB	HG	HL
127		15	27	3.63	4.50
139	143/5T, 182/4T	15	39	3.63	4.50
148	213/5T, 254/6T	18	48	4.00	4.50
153A	284T/TS, 286T/TS	21	53	4.00	4.50
153B	324T/TS, 326T/TS	21	53	4.00	4.50
245	143/5t, 182/4T	15	45	3.63	4.50
252	213T, 215T	18	52	4.00	4.50
258A	254T, 256T	21	58	4.00	4.50
258B	284T/TS, 286T/TS	21	58	4.00	4.50
264A	324T/TS, 326T/TS	21	64	4.00	4.50
264B	364T/TS, 365T/TS	21	64	4.00	4.50
268	404T/TS, 405T/TS	26	68	4.00	4.50
280	444/5/7/9TS	26	80	4.00	4.50
368	284T, 286T	26	68	4.00	6.50
380A	324/6T, 404T/TS	26	80	4.00	6.50
380B	364/5T, 405T/TS	26	80	4.00	6.50
398	444/5T/TS, 447/9T	26	98	4.00	6.50

Notes:

(1) Motor should not extend beyond end of baseplate.

(2) If applicable, Motor Requires Shims/Risers to Meet Centerline of Pump. (not shown in above diagram)

*For channel baseplate, refer to your local Motion Industries branch for weight per Ft. # information.



MosherFlo is offering, as standard on their baseplates, Falk Orange Peel Guards - Never dents, rusts, or needs painting with 3 year heavy-duty warranty. Orange Peel guards comply with OSHA, ASME, and ANSI standards.

C-CHANNEL Steel Base ≈1/2"	HA	Weight per Ft.	HG - HEIGHT	THICKNESS
	10	15.30#	2.6	0.24
	10	20.00#	2.739	0.379
	10	25.00#	2.886	0.526
	10	30.00#	3.033	0.673
	12	20.70#	2.94	0.28
	12	25.00#	3.047	0.387
	12	30.00#	3.17	0.51
	12	31.00#	3.67	0.37
	15	33.90#	3.4	0.4
	15	40.00#	3.52	0.52
	15	50.00#	3.716	0.716
	18	42.70#	3.95	0.45
	18	45.80#	4	0.5
	18	51.90#	4.1	0.6
	18	58.00#	4.2	0.7